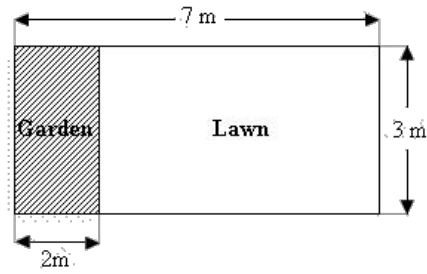


# Area of four lawns

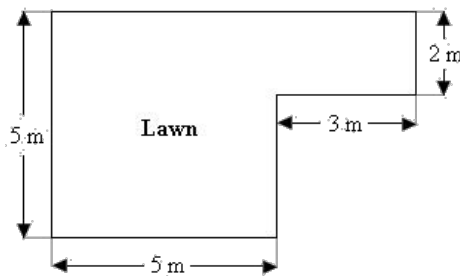
This task is about working out the area of four lawns.

Work out the area of the lawn.



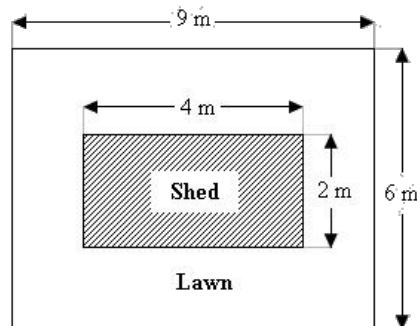
a) Matua Jennings' lawn is  m<sup>2</sup>

Work out the area of the lawn.



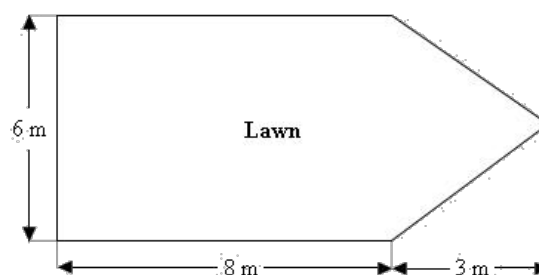
b) Ms Green's lawn is  m<sup>2</sup>

Work out the area of the lawn.



c) Mr Jackson's lawn is  m<sup>2</sup>

Work out the area of the lawn.



d) The area of Mr Shore's lawn is  m<sup>2</sup>