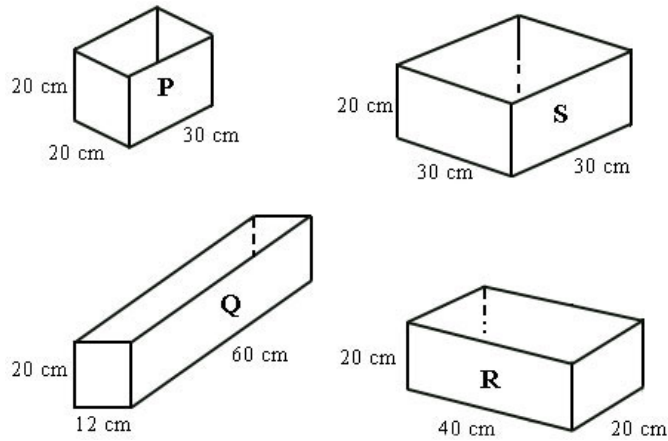


# Fish tank volume

This task is about calculating the volume of fish tanks given their dimensions.



a) Which fish tank(s) would hold 15 litres of water without the tank overflowing?

- (A) Tank R
- (B) Tank S
- (C) Tanks Q and R
- (D) Tanks R and S

b) What is the volume of tank Q in  $\text{cm}^3$ ?

- (A)  $9.2 \text{ cm}^3$
- (B)  $92 \text{ cm}^3$
- (C)  $1440 \text{ cm}^3$
- (D)  $14,400 \text{ cm}^3$
- (E) None of these. The answer is \_\_\_\_\_  $\text{cm}^3$

c) What is the volume of Tank P in  $\text{cm}^3$ ?

- (A)  $12 \text{ cm}^3$
- (B)  $70 \text{ cm}^3$
- (C)  $1,200 \text{ cm}^3$
- (D)  $7,000 \text{ cm}^3$
- (E) None of these. The answer is \_\_\_\_\_  $\text{cm}^3$