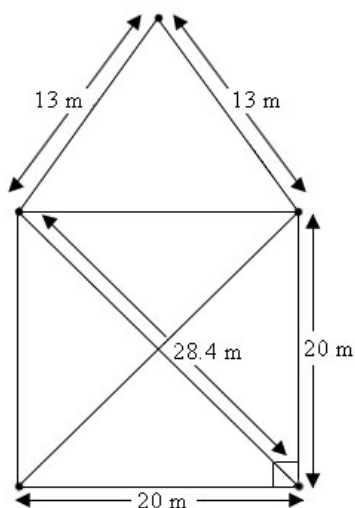


Using string lines

This task is about adding lengths of string together.



a) A builder tied strings between 5 pegs as shown, to mark out where concrete was to be laid.

How much string was used? m

b) If the builder removed the 2 diagonal strings (inside the square),

what length of string would be left? m

Published on *Assessment Resource Banks* (<https://arbs.nzcer.org.nz>)