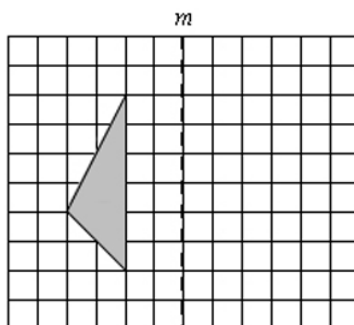


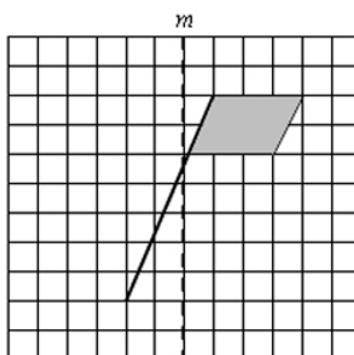
Reflecting shapes III

This task reflection of shapes along a mirror line.

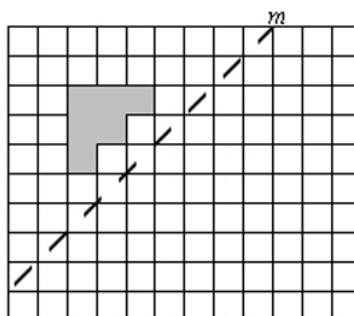
Draw the reflection of the shape using m as the line of symmetry.



Draw the reflection of the shape using m as the line of symmetry.



Draw the reflection of the shape using m as the line of symmetry.



Draw the reflection of the shape using m as the line of symmetry.

