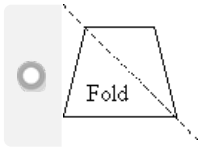
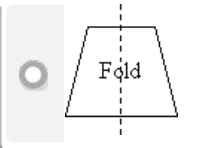
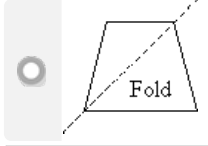
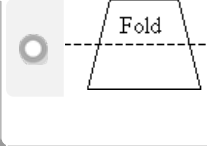


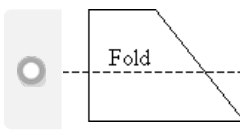
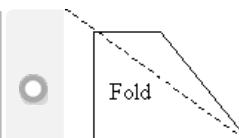
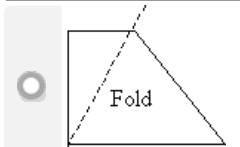
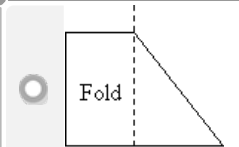
# Finding the line of symmetry

This task is about the symmetry of shapes.

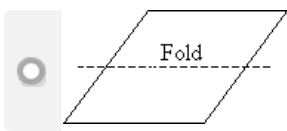
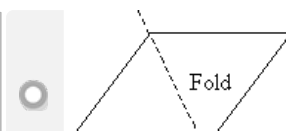
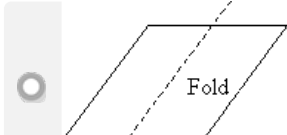
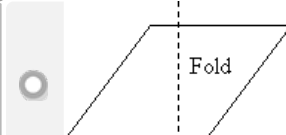
a) Which shape can be folded on the dotted line so that the two parts match up **exactly**?

<input type="radio"/> 	<input type="radio"/> 
<input type="radio"/> 	<input type="radio"/> 
<input type="radio"/> None of the folds will make the halves match up.	

b) Which shape can be folded on the dotted line so that the two parts match up **exactly**?

<input type="radio"/> 	<input type="radio"/> 
<input type="radio"/> 	<input type="radio"/> 
<input type="radio"/> None of the folds will make the halves match up.	

c) Which shape can be folded on the dotted line so that the two parts match up **exactly**?

<input type="radio"/> 	<input type="radio"/> 
<input type="radio"/> 	<input type="radio"/> 
<input type="radio"/> None of the folds will make the halves match up.	