

Projecting shapes

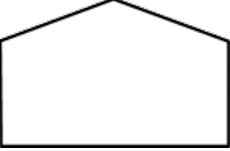


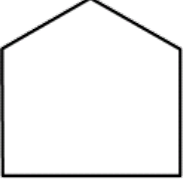
This task is about recognising shapes.

Matua Collins was projecting shapes.

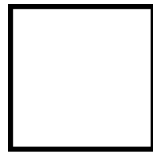
He put this shape on the projector to make it look bigger.



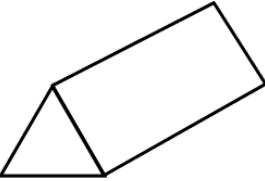
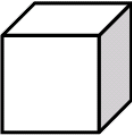

Select the shape that his class will see on the screen.

<input type="radio"/> 	<input type="radio"/> 
<input type="radio"/> 	<input type="radio"/> 

The class saw this shape on the screen:



Select the shape that Matua Collins put on the projector.

<input type="radio"/> 	<input type="radio"/> 
<input type="radio"/> 	<input type="radio"/> 