

Drawing prisms

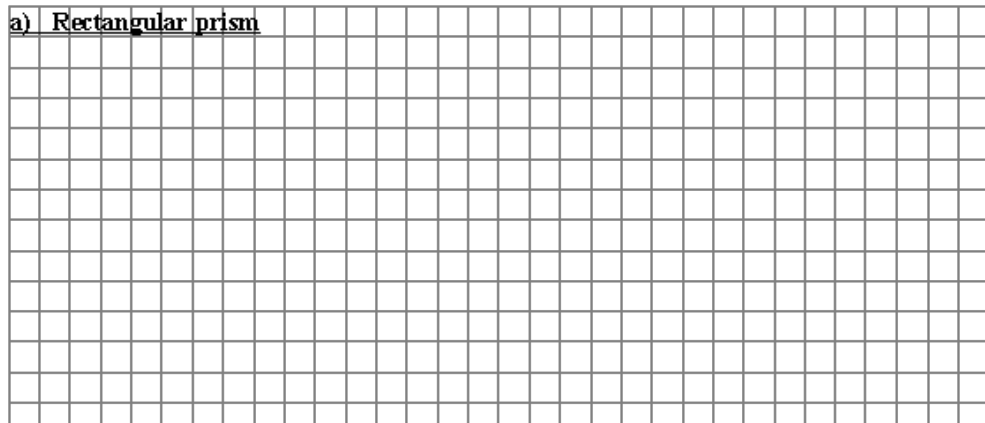
This task is about making and then drawing views of 3-D shapes.

Practical task

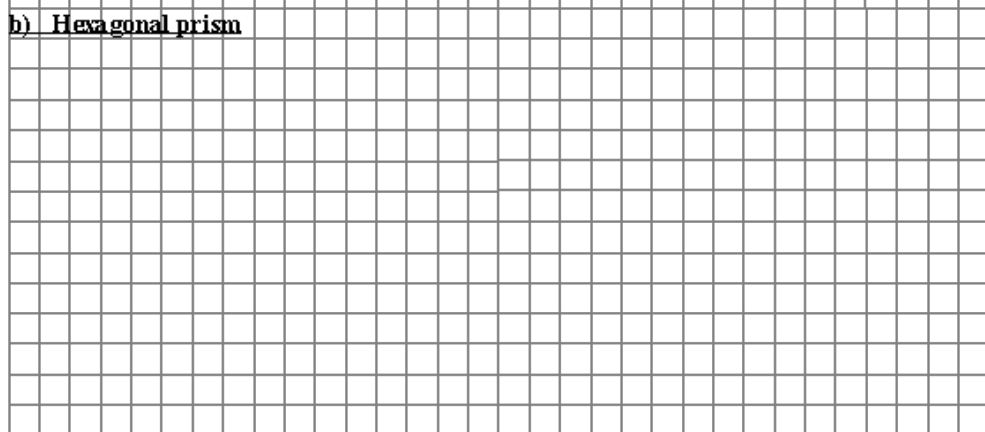
Build and then look at the models of the rectangular prism and the hexagonal prism.

Draw an accurate picture of each shape in the box below.

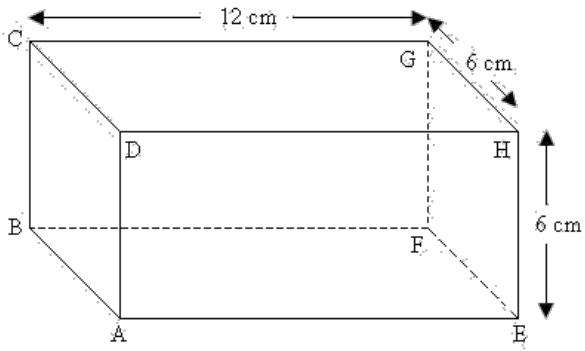
a) Rectangular prism



b) Hexagonal prism



Template of Rectangular Prism



Template of Hexagonal Prism

