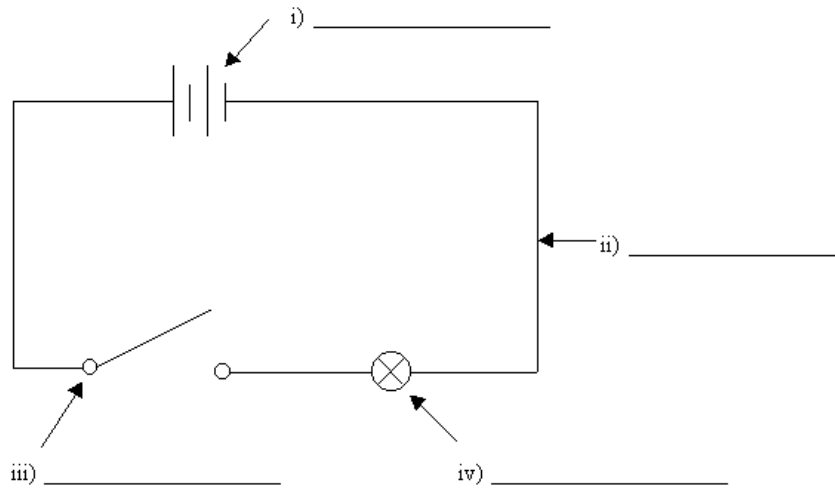


On or off?

Torch	Battery wire	Switch Bulb	Connecting
--------------	-------------------------	------------------------	-------------------

- a) A circuit is drawn below. Use the words from the box above to label each part of the circuit. One word is not needed.



Is the circuit on or off? on / off (*Circle one*)

Explain your answer.

- b) _____

