

# Whose earlobes will they get?



**Unattached earlobe**



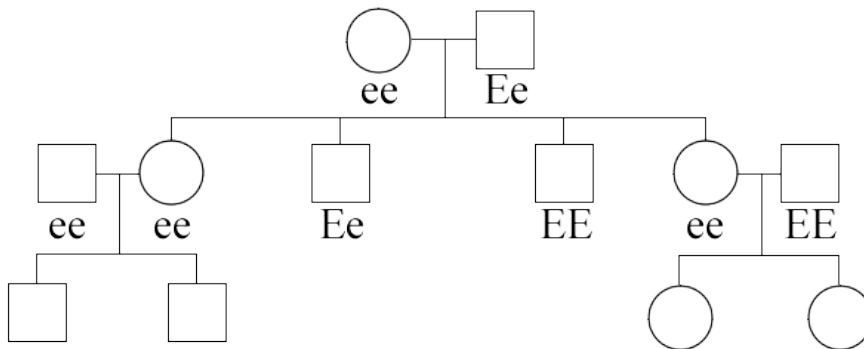
**Attached earlobe**

A family tree has been drawn below. Females are represented by  $\bigcirc$  and males by  $\square$ . The genotypes for free (unattached) or attached ear lobes of some members of this family have been written in.

E - the dominant form of the gene, it causes 'free' ear-lobes.

NOTE: e - the recessive form of the gene, it causes 'attached' ear-lobes.

**Family Tree**



- One of the genotypes has been written incorrectly. Put a M in the square or circle to show which genotype is incorrect.
- Shade in the  $\bigcirc$  or  $\square$  of all those individuals who would have attached ear-lobes.